



862 MHz, 38 dB Gain Mini Trunk Amplifier



MT-3202F-38PD

Features :

- 862 MHz amplifier
- Environmentally robust
- Easy to install and repair
- Mounting scheme: strand or pedestal installation
- Featuring low noise by using GaAs power double hybrid module
- Uses high efficiency, wide operating range (30 ~ 90 V AC) switching power supply
- All ports are equipped with arresters for protection
- Automatic level and slope control (ALSC) with a high/ low switch and a slope-level control for easy setup

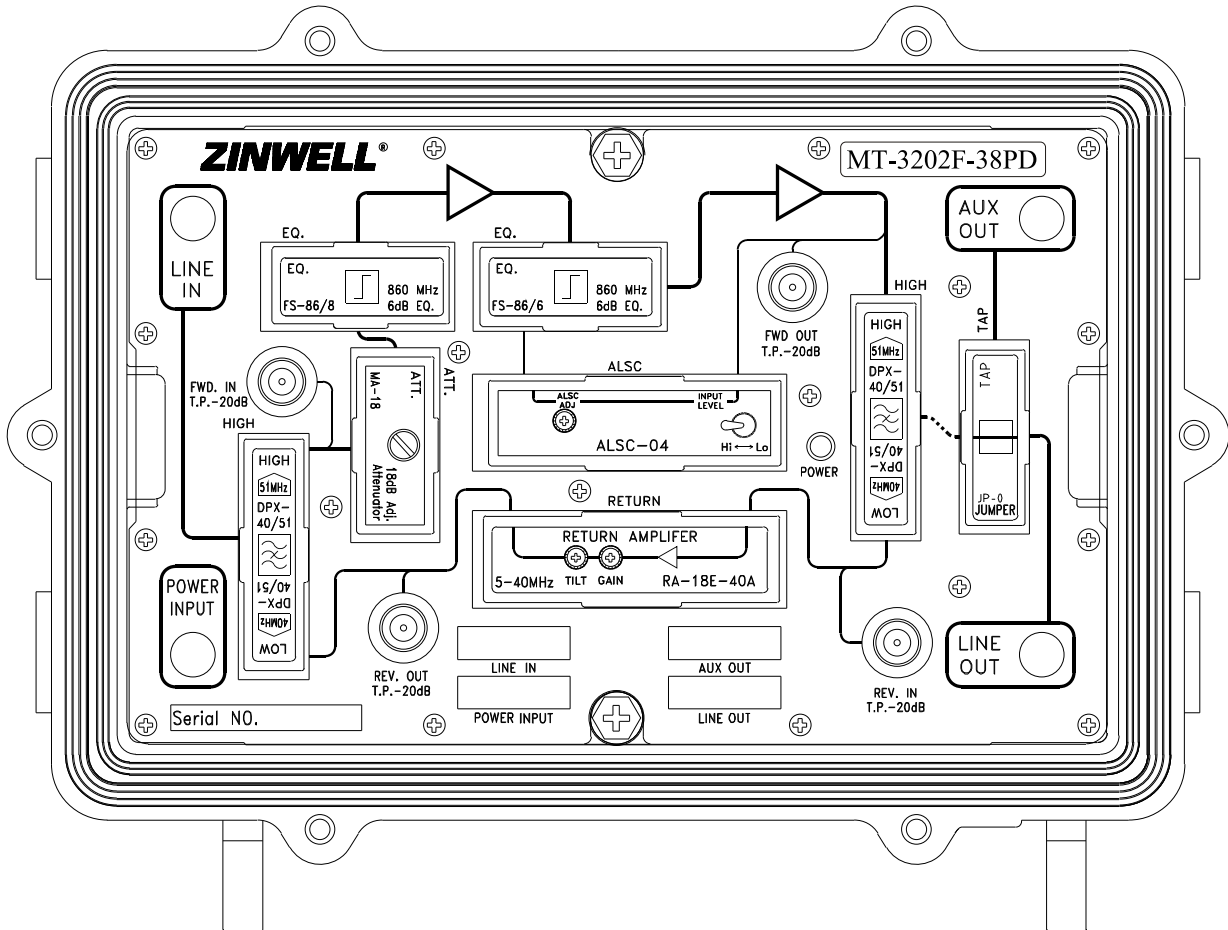
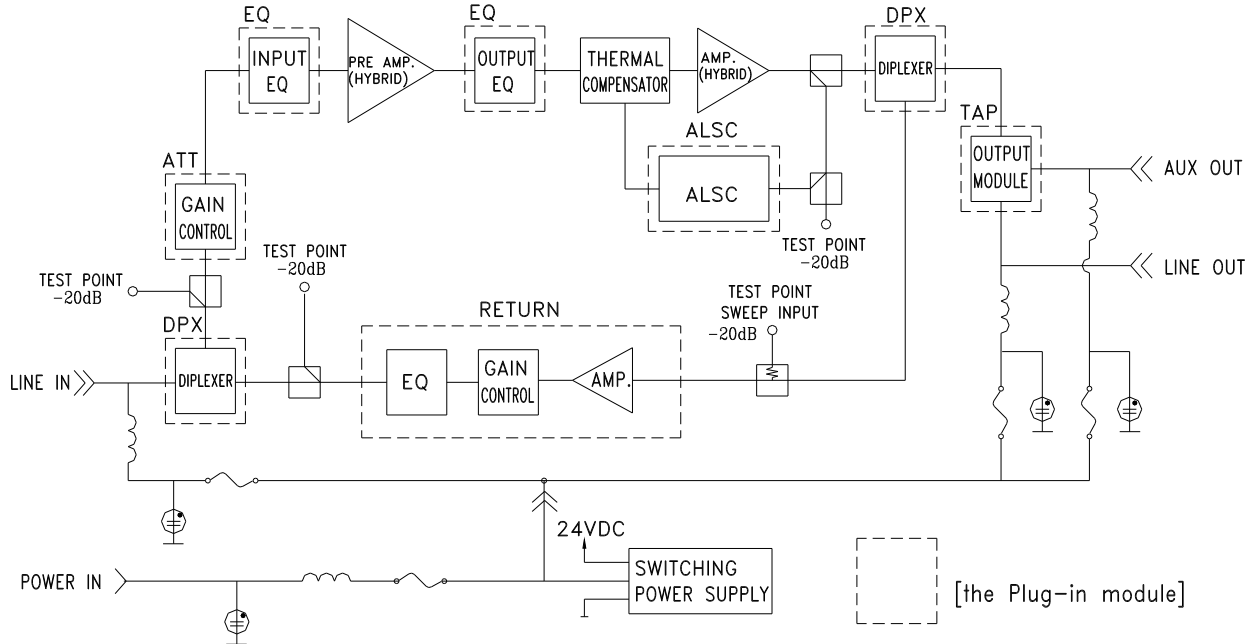
Descriptions :

- The MT-3202F is a bidirectional outdoor amplifier designed with a compact and high efficiency switching power supply.
- All functional blocks are plug-in module designed which provides a flexible system planning and is easy for installation and maintenance.
- An optional branch-out module can provide a signal drop out as a trunk line splitter or tap.
- **Reversible frame design, which allows the input cable from either left or right directions, makes the installation easier.**



862 MHz, 38 dB Gain Mini Trunk Amplifier

Block Diagram





862 MHz, 38 dB Gain Mini Trunk Amplifier

Specifications :

Forward Path		
Description	MT-3202F-38PD	
AMP. Type	Power Doubling	
FREQ. Range	862 MHz	
Frequency Response	0.75 dB	
Mini Full Gain	38 dB	
Operating Gain	36 dB	
Gain Control (Plug-in Module)	Adjustable	0 ~ 18 dB
	Fixed	0 ... 8 dB (in 1 dB step)
Slope Control (Plug-in Module)	Adjustable	0 ~ 18 dB
	Fixed	3, 6, 9, 11, 12, 14, 16, 17, 19 dB
AGC (Thermal Compensation)	2 dB (Built -in)	
ALSC (Auto Level & Slope Control)	4 dB (Optional)	
Operating Tilt	12 dB typ.	
Output Level (Reference) (54/ 550/ 862 MHz) *	77 analog chs + 312 MHz digital	
	94/ 104/ 106 dBuV	
Composite Second Order (CSO)	-70 dBc	
Composite Triple Beat (CTB)	-75 dBc	
Cross Modulation (XMOD)	-75 dBc	
Noise Figure	8 dB	
Return loss	16 dB typ. 12 dB min.	
HUM Modulation	-70 dB	
Current Consumption	930 mA including (RA: 80 DC/ ALSC: 60 DC)	

* for digital channels at 550 ~ 862 MHz , carriers are -10 dB lower relative to analog channels.

Return Path				
Module	with Passive Return Module RB-J0	with RA-18E-x series		
Fixed Slope	0 dB	2 1 dB		
Full Gain (Loss)	(4 dB max.)	17 2 dB		
Gain Control	-	Att. 0 ~ -10 dB (adj)		
Slope Control	-	1 ~ 8 dB (adj)		
Noise Figure	-	7 dB		
Return Loss (max. Tilt)	12 dB min.	14 typ. 8 dB min.		
Output Level (Reference)	-	100 / 4	100dBuV / 5 channels	
Composite Second Order (dB)	-	-68	-64	-64
Composite Triple Beat (dB)	-	-59	-59	-59
Cross Modulation (dB)	-	-61	-61	-61

General Specifications	
I/O Test Ports	-20 2 dB, to input & output level
Power Consumption & Requirement	27 W @ 35 ~ 90 V DC; 30 ~ 90 V AC, 47 ~ 63 Hz square or sinusoidal wave
Switch power supply output rating	1 A @ 24 VDC
Impedance	75
Surge Protection	7,000, 1.2 x 50 us
Power Passing	7 A
Over Voltage Protection	120 V AC
Operating Temperature	-40 ~ +60
Connector	5/8"-24NEF Female
Dimensions	250(L) x 200(W) x 110(H) mm
Net Weight	4 Kg

Specifications are subject to change without notice.



Optional Plug-in Module Selection for MT-3202F-38PD

Module	Type	Module Code	Module Description
Input EQ.	Fixed value	FA-0	0 ~ 1000 MHz, 0dB Jumper
		FS-86/ 3, 6, 8, 9, 11, 12, 14, 16, 17, 19	862 MHz fixed value input EQ.
	Adjustable	MS-86/ 18	862 MHz adj. input EQ. (0 ~ 18 dB)
Attenuator	Fixed value	FA-0, 1, 2, 3 ~ 8	Fixed value pad
	Adjustable	MA-18	0 ~ 18 dB adj. attenuator
Output EQ.	Fixed value	FA-0	0 ~ 1000 MHz, 0dB Jumper
		FS-86/ 3, 6, 8, 9, 11, 12, 14, 16, 17, 19	862 MHz fixed value input EQ.
	Adjustable	PEQ-86/8-3M	1.2 ~ 3 dB adj. PEQ for 110 ~ 200 MHz
		PEQ-86/8-3H	1.2 ~ 2.5 dB adj. PEQ for 200 ~ 300 MHz
	PEQ-86/8-3U3	2 ~ 3 dB adj. PEQ for 470 ~ 550 MHz	
ALSC		ALSC-04	4 dB Automatic Level & Slope Control
Output		JP-0	0 dB Jumper
		TOE-4/4	862 MHz 4 dB splitter
		TOE-6/2	862 MHz 6 dB tap off
		TOE-10/1	862 MHz 10 dB tap off
		TOE-15/1	862 MHz 15 dB tap off
Diplexer		DPX-30/47	5 ~ 30 MHz & 47 ~ 862 MHz Split
		DPX-40/51	5 ~ 40 MHz & 51 ~ 862 MHz Split
		DPX-42/54	5 ~ 42 MHz & 54 ~ 862 MHz Split
		DPX-55/70	5 ~ 55 MHz & 70 ~ 862 MHz Split
		DPX-65/84	5 ~ 65 MHz & 84 ~ 862 MHz Split
Reverse		RB-J0	0 ~ 1000 MHz, 0dB Jumper
		RA-18E-30A	5 ~ 30 MHz 18 dB Gain
		RA-18E-40A	5 ~ 40 MHz 18 dB Gain
		RA-18E-42A	5 ~ 42 MHz 18 dB Gain
		RA-18E-55A	5 ~ 55 MHz 18 dB Gain
		RA-18E-65A	5 ~ 65 MHz 18 dB Gain

Please see the detailed specifications of plug-in modules from Zinwell's catalog.

Model Number System :

MT-3202F-38PD-30

